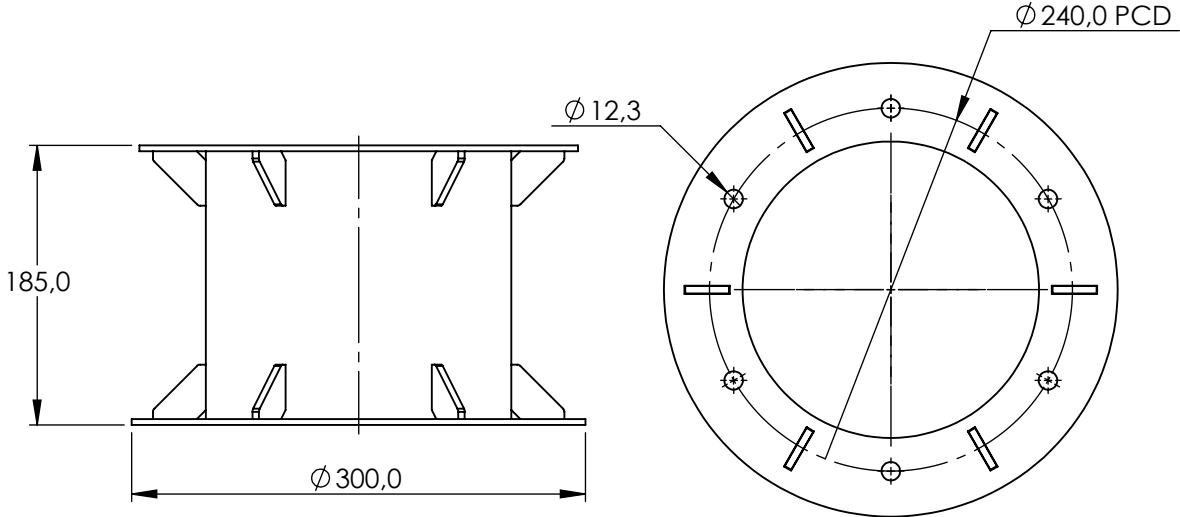
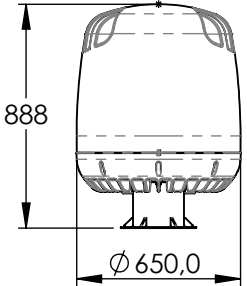
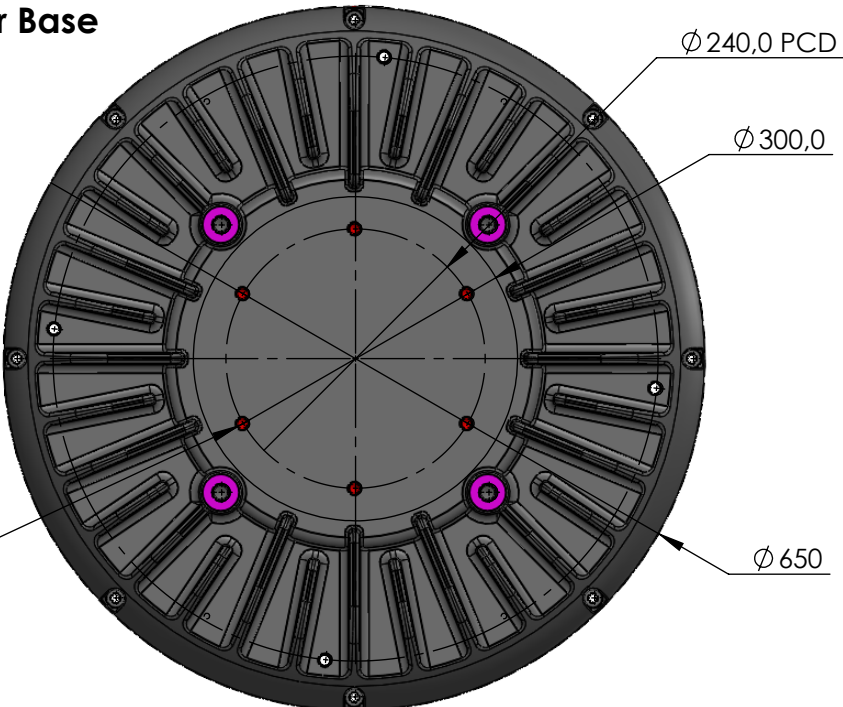
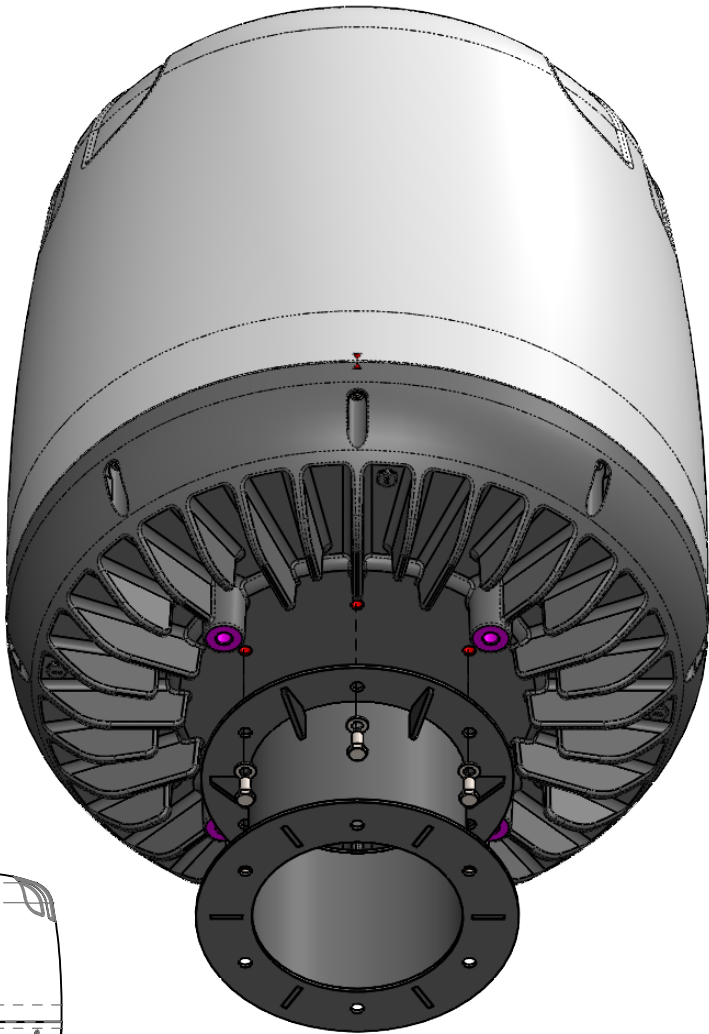


**Mounting Option 01
with WaveHunter Base
Marked in RED**



Deburr and break off sharp edges where necessary.		(Inspection dimensions)	
Process		TOLERANCES	
Material		UNLESS OTHERWISE SPECIFIED	
Surface Finish		Dimension Type	Tolerance
Colour		X	± 1
Part Weight	±50 KG	X.X	± 0.5
		X.XX	+ 0.2

<p>© Copyright All IP rights reserved Poynting Antennas 0861 268 3662 www.poynting.tech</p>	<p>Scale (UOS): Not To Scale</p> <p>All dimensions in mm unless otherwise stated</p>	Version	Date	Description	ECP no	THIS DOCUMENT MUST NOT BE USED FOR ANY PURPOSE OTHER THAN THAT FOR WHICH IT WAS SUPPLIED. UNAUTHORISED COPYING OR REDISTRIBUTION IS STRICTLY PROHIBITED.			Title: WaveHunter-Mounting Options-Rev.AB	Part Version: AB
		AB	14/12/21	Initial Prototype		Approved By	Signature	Date	Part no: WaveHunter-Mounting Options-Rev.AB	Drawing Version: AB
						P Lazarus			Author: A Kilian	AB
<p>Third Angle Projection</p>										